

**PLEASE CHECK WWW.MOLEX.COM FOR LATEST PART INFORMATION**

**Part Number:** [0003122021](#)  
**Status:** **Active**  
**Description:** 3.18mm (.125") Diameter, HCS-125 Pin and Socket Plug Housing, 2 Circuits, Single Row, With and Without Panel Mount Ears

**Documents:**

[3D Model](#) [RoHS Certificate of Compliance \(PDF\)](#)  
[Drawing \(PDF\)](#)

**Agency Certification**

CSA LR19980  
 UL E29179

**General**

Product Family Crimp Housings  
 Series 4306  
 Product Name HCS-125

**Physical**

Circuits (maximum) 2  
 Color - Resin Natural  
 Flammability 94V-2  
 Gender Dual  
 Glow-Wire Compliant No  
 Material - Resin Nylon  
 Number of Rows 1  
 Packaging Type Bag  
 Panel Mount Yes  
 Pitch - Mating Interface (in) 0.280 In  
 Pitch - Mating Interface (mm) 7.11 mm  
 Stackable No  
 Temperature Range - Operating -40°C to +105°C

**Electrical**

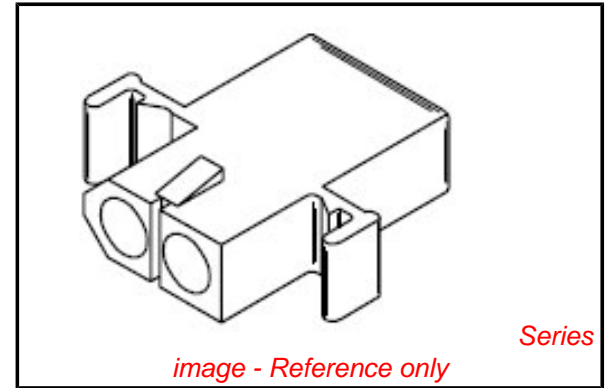
Current - Maximum per Contact 20A

**Material Info**

Old Part Number 4306-P

**Reference - Drawing Numbers**

Sales Drawing SD-4306-\*



*image - Reference only*

**EU RoHS**

**ELV and RoHS  
 Compliant**  
**REACH SVHC  
 Contains SVHC: No**  
**Halogen-Free  
 Status**

**China RoHS**



**Not Reviewed**

**Need more information on product  
 environmental compliance?**

Email [productcompliance@molex.com](mailto:productcompliance@molex.com)  
 For a multiple part number RoHS Certificate of  
 Compliance, [click here](#)

Please visit the [Contact Us](#) section for any  
 non-product compliance questions.

**Search Parts in this Series**

4306Series

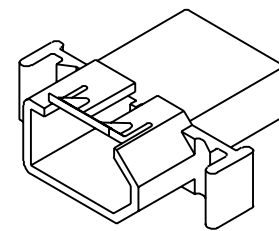
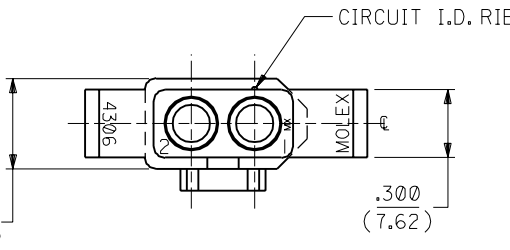
**Mates With**

4306r

**Use With**

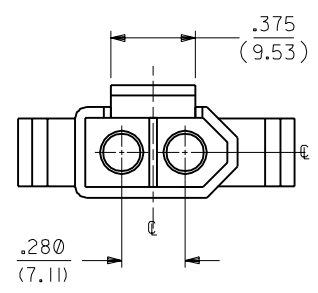
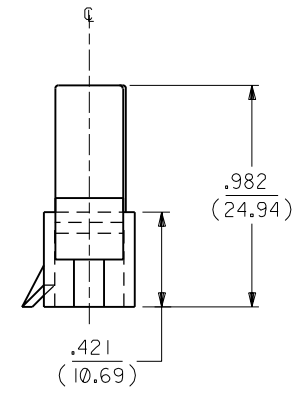
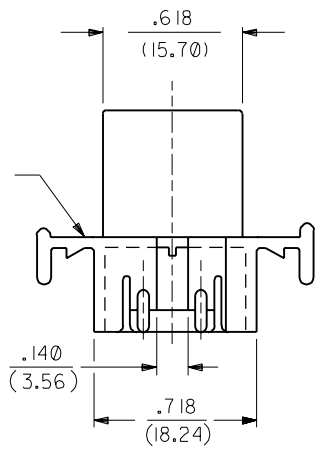
8947 , 1900 male crimp terminals, 1901 ,  
 2046 , 2047 , 42546 , 42547 , 42554 , 42555  
 , 8946

**PLEASE CHECK WWW.MOLEX.COM FOR LATEST PART INFORMATION**



4306-P PLUG HOUSING

MOUNTING EAR (2 PL.)  
SEE DETAIL 1 OR 2  
(WHEN SPECIFIED)

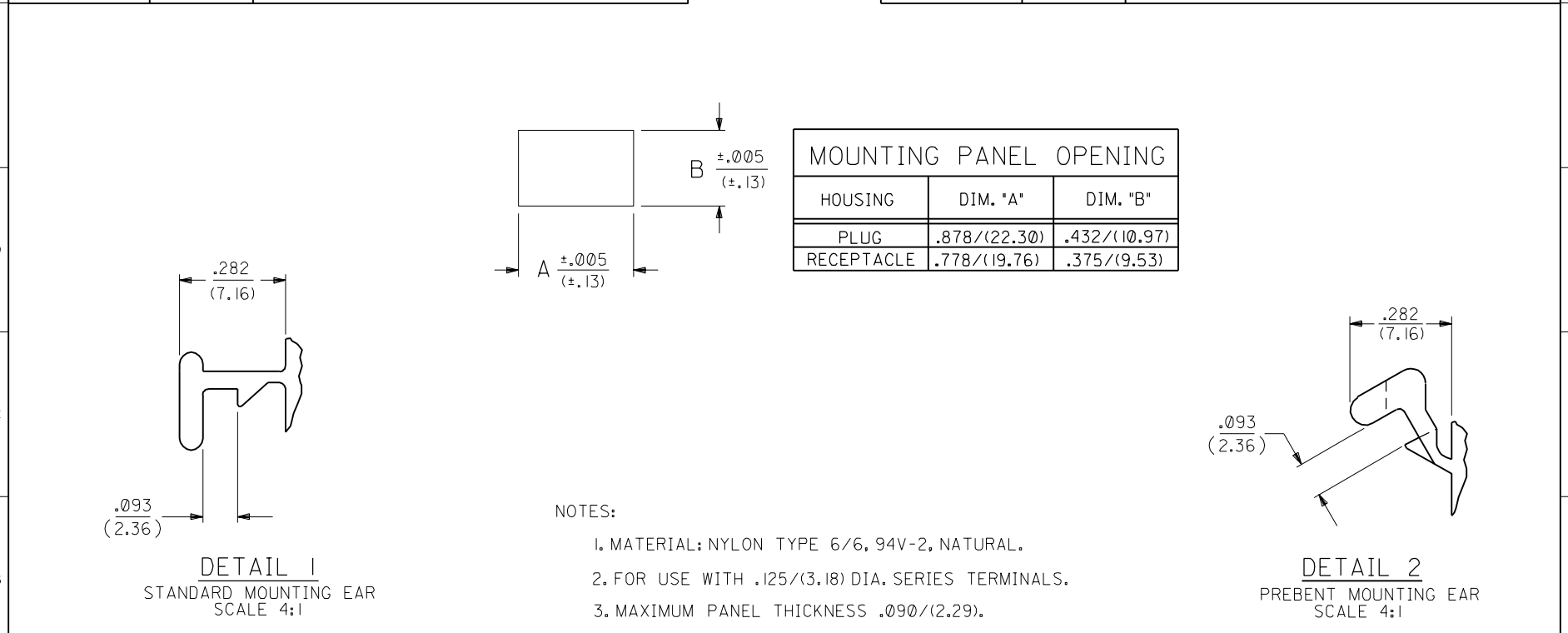


F	3	F	F	ADD CKT. I.D. RIB. PER ECR U3 1770 GC 12/9/93 RW
F	2	F	E	REDRAWN PER ECR 10/65 GEP 6/5/87 RW
F	1	F		
MFG.	SH.	REV.	LTR.	REVISIONS

DIMENSIONS SHOWN (METRIC) INCH		$\nabla = 0$	$\blacktriangledown = 0$	REVISE ONLY ON CAD SYSTEM												
UNLESS OTHERWISE SPECIFIED TOLERANCES: ANGULAR $\pm 1/2^\circ$		TITLE														
<table border="1"> <thead> <tr> <th></th> <th>INCH</th> <th>METRIC</th> </tr> </thead> <tbody> <tr> <td>3 PLACE</td> <td><math>\pm .010</math></td> <td>---</td> </tr> <tr> <td>2 PLACE</td> <td><math>\pm .014</math></td> <td><math>\pm 0.25</math></td> </tr> <tr> <td>1 PLACE</td> <td>---</td> <td><math>\pm 0.36</math></td> </tr> </tbody> </table>			INCH	METRIC	3 PLACE	$\pm .010$	---	2 PLACE	$\pm .014$	$\pm 0.25$	1 PLACE	---	$\pm 0.36$	HOUSING, 2 CIRCUIT PLUG AND RECEPTACLE $\frac{.125}{(3.18)}$ DIA.		
	INCH	METRIC														
3 PLACE	$\pm .010$	---														
2 PLACE	$\pm .014$	$\pm 0.25$														
1 PLACE	---	$\pm 0.36$														
DRAFT WHERE APPLICABLE MUST REMAIN WITHIN DIMENSIONS		<table border="1"> <tr> <td>MOLEX</td> <td>LISLE, ILL.</td> <td>60532</td> <td>U.S.A.</td> <td>SHEET NO. 1 of 3</td> <td>DATE 6/5/87</td> </tr> </table>			MOLEX	LISLE, ILL.	60532	U.S.A.	SHEET NO. 1 of 3	DATE 6/5/87						
MOLEX	LISLE, ILL.	60532	U.S.A.	SHEET NO. 1 of 3	DATE 6/5/87											
DRWG. BY GEP		CHK'D. BY RW		PART NO. SEE CHART	DRWG. NO. SD-4306-*											
APP'D. BY RAS		SCALE 2 : 1		FILE NAME SD4306X1.DGN	THIS DRAWING CONTAINS INFORMATION THAT IS PROPRIETARY TO MOLEX INC. AND SHOULD NOT BE USED WITHOUT WRITTEN PERMISSION.											
				DIV. CP	SIZE B											

10	9	8	7	6	5	4	3	2	1	4306	
PLUG				RECEPTACLE							
PART NO.	ENG. NO.	DESCRIPTION									
03-12-2021	4306-P	PLUG WITH STANDARD EARS (DETAIL 1)									
03-12-2022	4306-P1	PLUG W/O EARS									
03-12-2023	4306-PB	PLUG W/PREBENT EARS (DETAIL 2)									

10	9	8	7	6	5	4	3	2	1	4306	
PLUG				RECEPTACLE							
PART NO.	ENG. NO.	DESCRIPTION									
03-12-1021	4306-R	RECEPTACLE WITH STANDARD EARS (DETAIL 1)									
03-12-1022	4306-R1	RECEPTACLE W/O EARS									
03-12-1023	4306-RB	RECEPTACLE W/PREBENT EARS (DETAIL 2)									



				DIMENSIONS SHOWN (METRIC) INCH		$\nabla = 0$ $\blacktriangledown = 0$		REVISE ONLY ON CAD SYSTEM			
				UNLESS OTHERWISE SPECIFIED TOLERANCES: ANGULAR # 1/2°		TITLE					
						HOUSING, 2 CIRCUIT PLUG AND RECEPTACLE					
						$.125$ /(3.18) DIA.					
						INCH		METRIC		SHEET NO. DATE	
						3 PLACE $\pm .010$ ---		---		3 6/5/87	
						2 PLACE $\pm .014$ $\pm 0.25$				U.S.A.	
						1 PLACE --- $\pm 0.35$				MOLEX INCORPORATED	
						DRAFT WHERE APPLICABLE MUST REMAIN WITHIN DIMENSIONS					
						DRWG. BY GEP		CHK'D. BY RW		PART NO. SD-4306-*	
						APP'D. BY RAS		SCALE 2:1		DRWG. NO. SD-4306-*	
						FILE NAME SD4306X3		THIS DRAWING CONTAINS INFORMATION THAT IS PROPRIETARY TO MOLEX INC. AND SHOULD NOT BE USED WITHOUT WRITTEN PERMISSION.		DIV. CP	
						DEN				SIZE B	